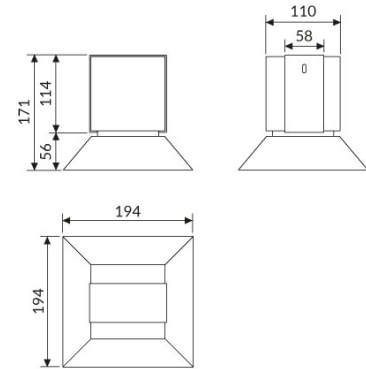
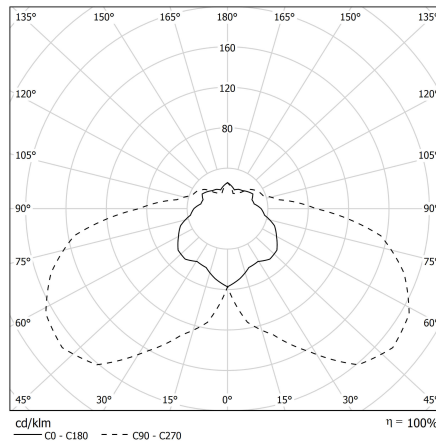



## NOBIS GROUND



CODE		FLUX	SIZE	CERTIFICATIONS
90PC13L3G66	13W 3000K	580lm	110x110mm	CE IP66 A <sup>+</sup>

### Optic

Satin polycarbonate diffuser with power and change color button. USB rechargeable.

### Specifications

Colour temperature: 3000K

CRI>80

McAdams 3

Life Time: L80/B10 >50.000h

5 years complete warranty

Eye safety: risk-free (RG 0) in accordance with EN62471:2009

### Body

Body – diffuser manufactured from shockresistant, anti-static technopolymer, with an exclusive surface treatment to guarantee constant light homogeneity.

### Legal references

In compliance with the safety standards EN 60 598-1 and UNI EN 12464-1 (lighting for working places).

### Wiring

RE: Built-in wiring 230-240V/50-60Hz with power factor >0.97.